

Push Switch (PSL-8 Series)



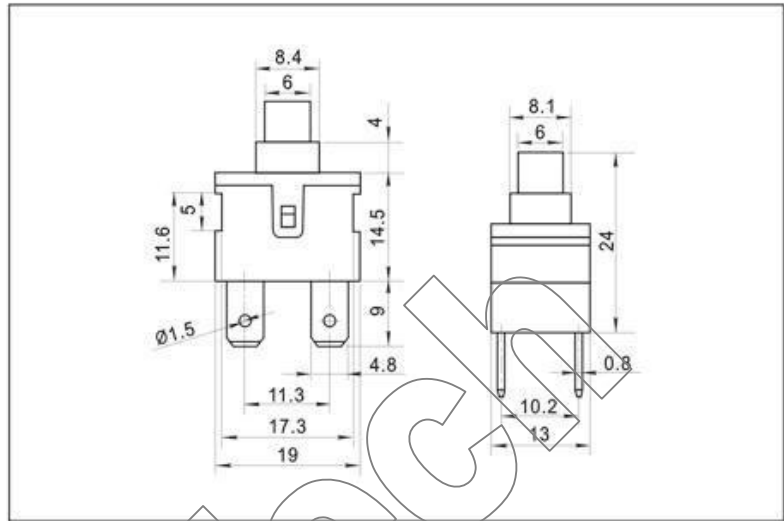
PSL-8-21-BK/BK-P4-A1



PSL-8-21-BK/BK-P4-A2

SPECIFICATIONS

- 12 (4) A 250VAC 1E4 T125/55
- 10 (4) A 250VAC 25E3
- 15A 125VAC 10A 250VAC
- 1/2HP 250VAC
- ROHS Compliance**



EXPLANATION MODEL NUMBER

PSL - 8 - 21 - BK/BK - P4 - A1

